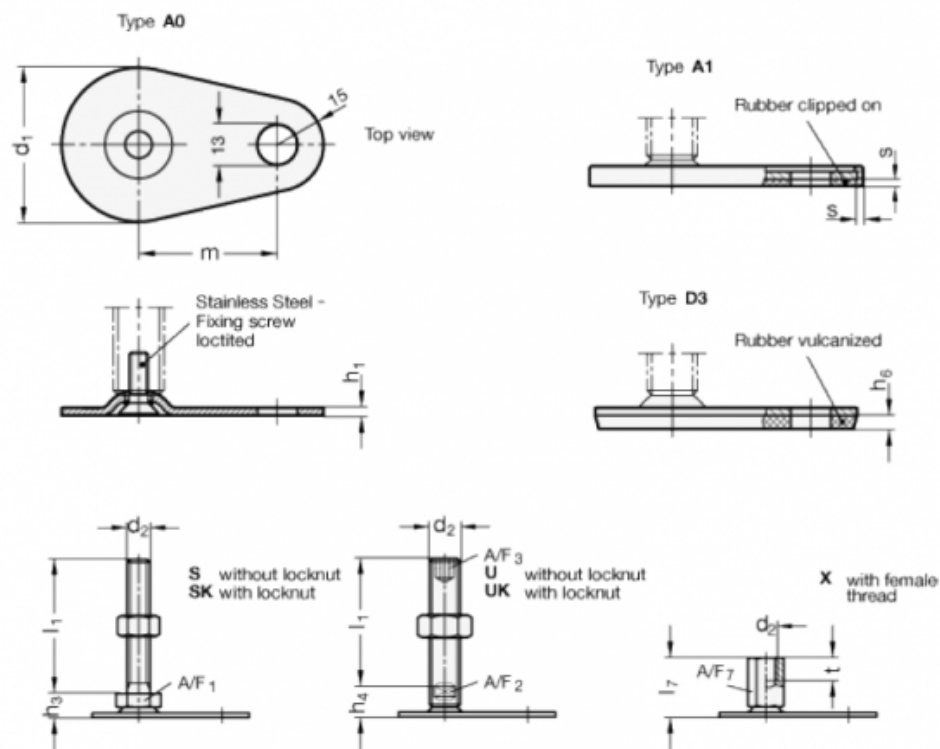


Data Sheet



Article number: 204280M1232A1X
 Description: E+G levelling foot
 GN 42-80-M12-32-A1-X
 Note: X With female thread, External hexagon

Measures



A/F7 = 17	t = 12
d1 = 80	
d2 = M12	
h1 = 3	
h6 =	
l7 = 32	
m = 70	
s = 2	